

# HV880DCIR-MP

【SPECIFICATIONS】 MegaPixel Day&Night Vari-focal lens with Extra-low Dispersion Glass

Image Size :  $\frac{1}{2}$   $\frac{1}{3}$   $\frac{1}{4}$

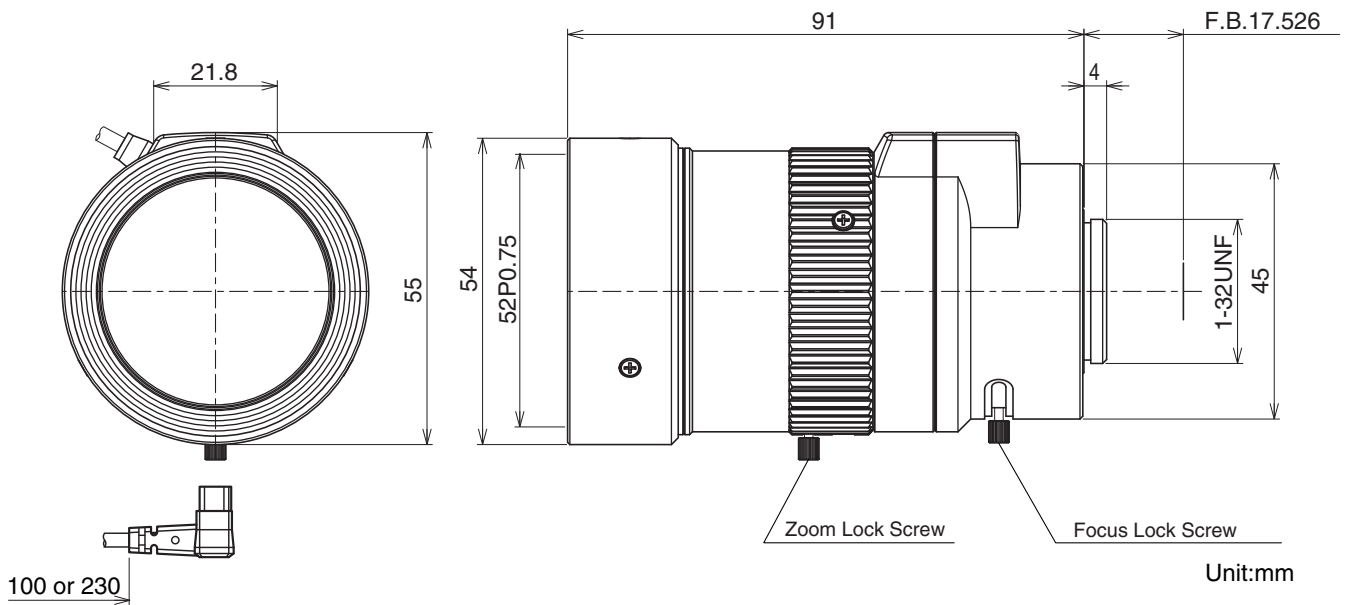
Focal Length : 8 ~ 80mm  
 Maximum Relative Aperture : 1:1.6  
 Iris : F1.6 ~ Approx.360  
 (With ND Spot Filter )  
 Zoom Ratio : 10X  
 Angle of View : 46.6 × 34.3 deg. at 8mm  
 4.7 × 3.6 deg. at 80mm  
 Image Size : 6.4 × 4.8mm ( 8mm )  
 Minimum Object Distance : 0.1m at 8mm ( From Front Vertex )  
 0.7m at 80mm ( From Front Vertex )  
 Optical Back Focal Distance : 17.07 ~ 21.42mm ( In Air )  
 Flange Back : 17.526mm

Operation : Focus : Manual  
 Zoom : Manual  
 Iris : IG(Auto Close System)  
 Close to Open : Less than 4V  
 Open to Close : More than 0.1V  
 Speed Within 4sec.  
 Operating Temperature : -10 to +50  
 Mount : C-Mount ( Adjustable Lens Position )  
 Filter Size : 52mm P0.75  
 Size : 54 × 91mm  
 Weight :

## 【COMPOSITION】

- Lens . . . . . 1
- Lens Cap . . . . . 1
- Dust Cap . . . . . 1

## 【DIMENSIONS】



## 【CIRCUIT DIAGRAM】

