

HZ848R

【SPECIFICATION】

Image Size: $\frac{1}{2}$ $\frac{1}{3}$

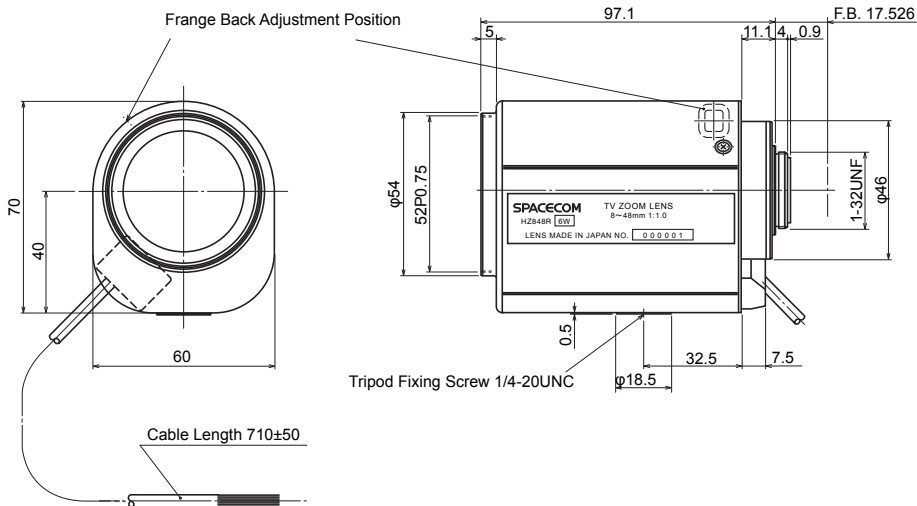
Focal Length : 8~48mm
 Maximum Relative Aperture : 1:1.0
 Iris : F1.0~Close
 Zoom Ratio : 6X
 Angle of View : 43.6×33.4 deg. at 8mm
 7.7× 5.7 deg. at 48mm
 Image Size : 6.4×4.8mm (φ8mm)
 Minimum Object Distance : 1.0m (From Front Vertex)
 Optical Back Focal Distance : 14.56mm (In Air)
 Flange Back : 17.526mm

Operation : Zoom : Motorized(DC±6.4V, Max40mA)
 Speed Approx.6sec.
 Focus : Motorized(DC±6.4V, Max40mA)
 Speed Approx.7sec.
 Iris : Motorized(DC±6.4V, Max40mA)
 Speed Approx.3.5sec.
 Operation Temperature : -10~+50°C
 Mount : C-Mount(Adjustable Lens Position)
 Filter Size : 52mm P0.75
 Size : 70×60×97.1mm
 Weight : Approx.500 g

【COMPOSITION】

- Lens 1
- Lens Cap 1
- Dust Cap 1

【DIMENSIONS】



Unit:mm

【CIRCUIT DIAGRAM】

