

# HZ848RAI

Image Size:  $\frac{1}{2}$   $\frac{1}{3}$

## [SPECIFICATIONS]

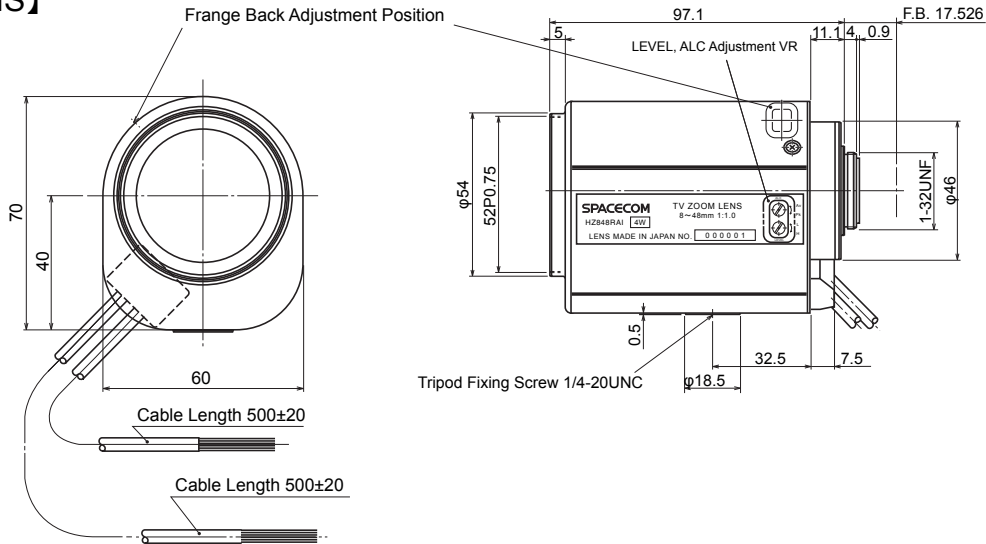
Focal Length : 8~48mm  
 Maximum Relative Aperture : 1:1.0  
 Iris : F1.0~Approx.1200  
(With ND Spot Filter)  
 Zoom Ratio : 6X  
 Angle of View : 43.6×33.4 deg. at 8mm  
 7.7× 5.7 deg. at 48mm  
 Image Size : 6.4×4.8mm (φ8mm)  
 Minimum Object Distance : 1.0m (From Front Vertex)  
 Optical Back Focal Distance : 14.56mm (In Air)  
 Flange Back : 17.526mm  
 Input Signal : Composite Video Signal, Video Signal  
 Sensitivity Adjustment : 0.5~1.0Vp-p(Image Signal)  
 Photometry Range : Approx.40~70% Variable to Vp-p

Input Impedance : High Impedance  
 Operation : Zoom : Motorized(DC±6.4V, Max40mA)  
 Speed Approx.6sec.  
 Focus : Motorized(DC±6.4V, Max40mA)  
 Speed Approx.7sec.  
 Iris : EE(DC+8.5 to 16V : Fixed Voltage, Max60mA)  
 EE Mechanism : The built-in EE Amp amplifies the difference between the video signal from the camera and the preset Iris signal level. It causes the Iris to change size.  
 Operating Temperature : -10~+50°C  
 Mount : CS-Mount(Adjustable Lens Position)  
 Filter Size : 52mm P0.75  
 Size : 70×60×97.1mm  
 Weight : Approx.500 g

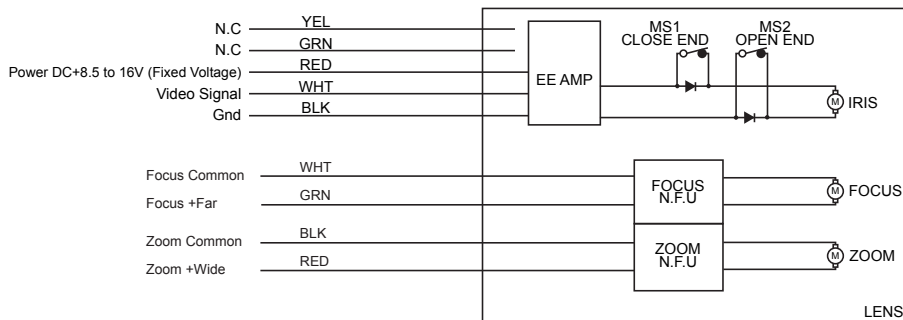
## [COMPOSITION]

- Lens . . . . . 1
- Lens Cap . . . . . 1
- Dust Cap . . . . . 1

## [DIMENSIONS]



## [CIRCUIT DIAGRAM]



SUBJECT TO CHANGE WITHOUT NOTICE.