

TAV2812P IR-MP

[SPECIFICATIONS]

F1.4 Aspherical + Day&Night IR Lens

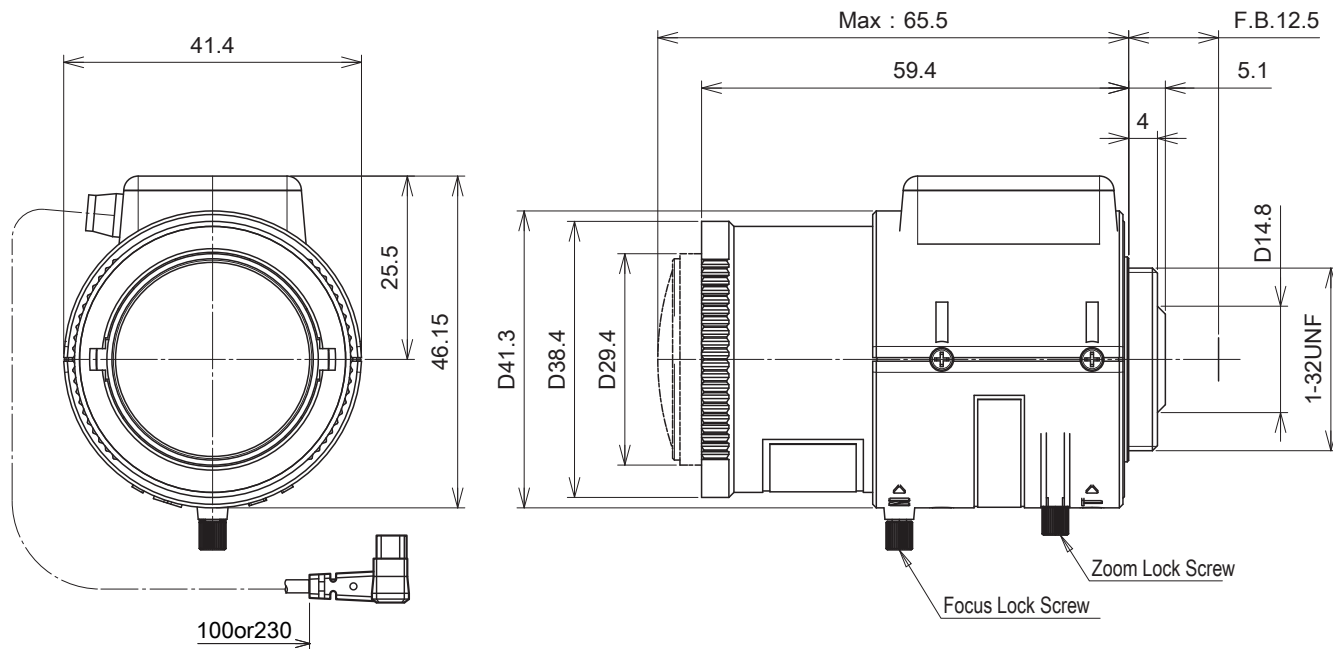
Image Size: $\text{\textcircled{1/2.8}}$ $\text{\textcircled{1/3}}$ $\text{\textcircled{1/4}}$

Focal Length :	2.8 ~ 12mm	Flange Back :	12.5mm
Maximum Relative Aperture :	1:1.4	Operation :	Focus : Manual Zoom : Manual Iris : Stepper motor
Iris :	F1.4 ~ 360 (With ND Spot Filter)	Operation Voltage	Close to Open : Less than 3V Open to Close : More than 0.5V
Zoom Ratio :	4.3 x	Operation Temperature :	-10 to +50C
Angular Field of View :	97.9 x 72.5 deg.at 2.8mm 25.0 x 18.8 deg.at 12mm	Mount :	CS-Mount(Adjustable Lens Position)
Image Format :	4.8 x 3.6mm (ϕ 6mm)	Size, Weight :	D41.3 x 46.2 x 59.4mm, Approx. 70g
Minimum Object Distance :	0.3m (From Front Vertex)		
Optical Back Focal Distance :	7.32mm (In Air)		

[COMPOSITION]

- Lens1
- Lens Cap1
- Dust Cap1

[DIMENSIONS]



Unit:mm

[CIRCUIT DIAGRAM]

PN NO.	lead wres color	STEP PHASE	CLOSE → ← OPEN			
			1	2	3	4
1	BLK	B	H	H	L	L
2	WHT	A	H	L	L	H
3	RED	\bar{A}	L	H	H	L
4	GRN	\bar{B}	L	L	H	H

Do not connect to camrea which does not have P-Iris support. It will cause failure.
It is not compatible to connect to DC or Video Iris camera.