

## TEZ6565RAI

Image Size:  $\frac{1}{3}$   $\frac{1}{4}$

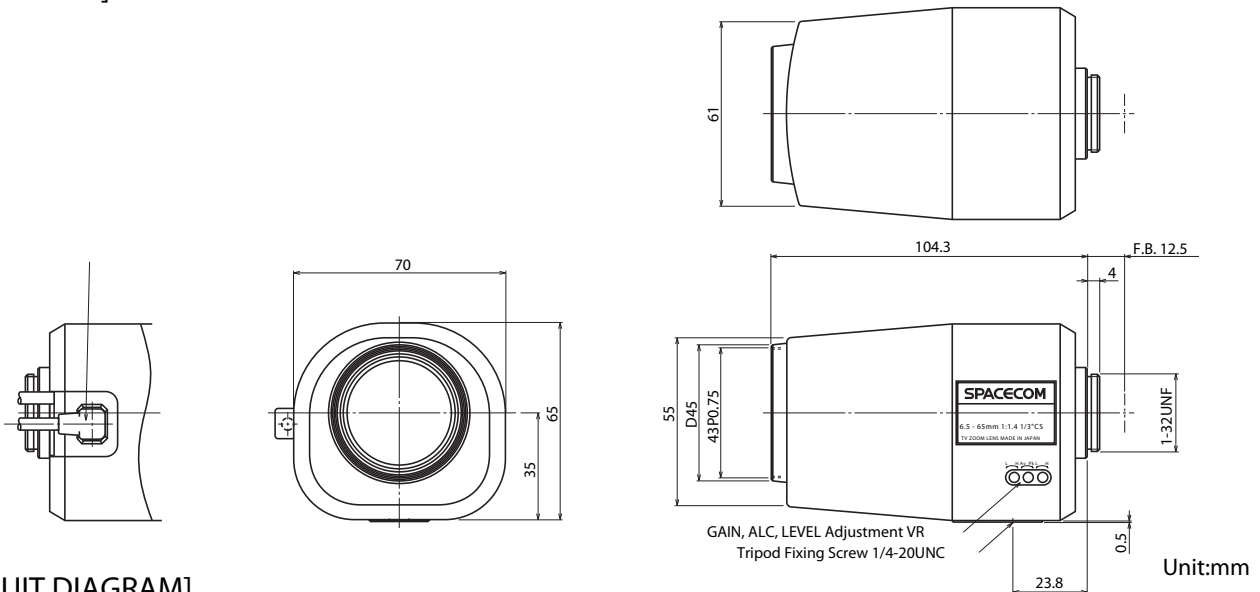
### [SPECIFICATIONS]

Focal Length :	6.5 - 65mm	Photometry Range :	Approx. 40% - 70% Variable to Vp-p
Maximum Relative Aperture :	1:1.4	Input Impedance :	High Impedance
Iris :	F1.4 - Approx. 360 (With ND Spot Filter)	Operation : Zoom :	Motorized(DC+/-6.4V, Max40mA) Speed Approx. 6.5sec.
Zoom Ratio :	10X	Focus :	Motorized(DC+/-6.4V, Max40mA) Speed Approx. 6.5sec.
Sensitivity Adjustment :	0.5 - 1.0Vp-p(Image Signal)	Iris :	EE (DC+8.5 to 16V : Fixed Voltage, Max50mA) Speed Within 4sec.(Auto Close System)
Angular Field of View :	40.5 X31.0 deg. at 6.5mm 4.2 X 3.2 deg. at 65mm	EE Mechanism :	The built-in EE Amp amplifies the difference between the video signal from the camera and the Iris signal level.
Image Format :	4.8X3.6mm(D6mm)	EE Accuracy :	With Input Video Signal 0.7Vp-p Within+/-10% of Mean Value
Minimum Object Distance :	1.2m(From Front Vertex)	Operation Temperature :	-10 to +50
Object Dimensions at M.O.D. :	84.2X63.3cm at 6.5mm 8.4X 6.4cm at 65mm	Mount :	CS-Mount(Adjustable Lens Position)
Optical Back Focal Distance :	9.85mm(In Air)	Front Thread :	43mm P0.75
Flange Back :	12.5mm	Size, Weight :	70X65X104.3mm, Approx. 285g
Input Signal :	Composite Video Signal or Video Signal		

### [COMPOSITION]

- Lens .....1
- Lens Cap .....1
- Dust Cap .....1
- VR Adjust Tool .... 1

### [DIMENSIONS]



### [CIRCUIT DIAGRAM]

