

TP3.8DC-2

[SPECIFICATIONS]

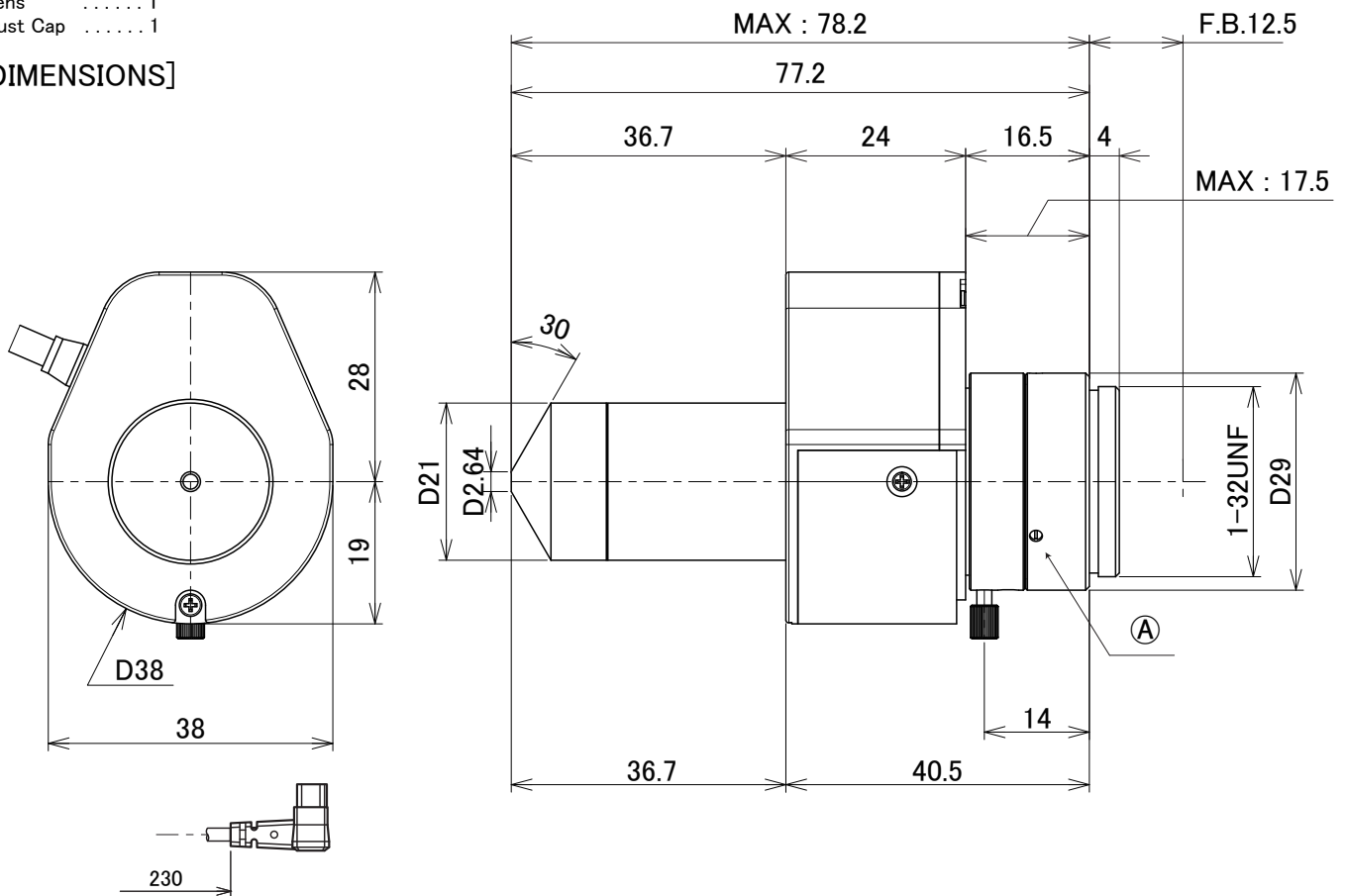
Image Size: (1/3)

Focal Length :	3.8mm	Operation :	Focus : Manual Iris : IG (Auto Close System) Close→Open : Less than 3.0V Open→Close : More than 0.5V
Maximum Relative Aperture :	1:2.4	Operation Temperature :	-10 to +50
Iris :	F2.4 – Approx.360 (With Attenuator)	Mount :	CS-Mount ※The lens posture can be adjusted by loosening the (A)M1.7 pointed end screw.
Angular Field of View :	64.6 x 50.7 deg.	Size , Weight :	D29 x 77.2mm , Approx. 100g
Image Format :	4.8 x 3.6mm (D6mm)		
Minimum Object Distance :	1.0m (From Front Vertex)		
Optical Back Focal Distance :	10.41mm (In Air)		
Flange Back :	12.5mm		

[COMPOSITION]

- Lens 1
- Dust Cap 1

[DIMENSIONS]



Unit:mm

[CIRCUIT DIAGRAM]

