

TZ660R

Image Size: $\frac{1}{3}$

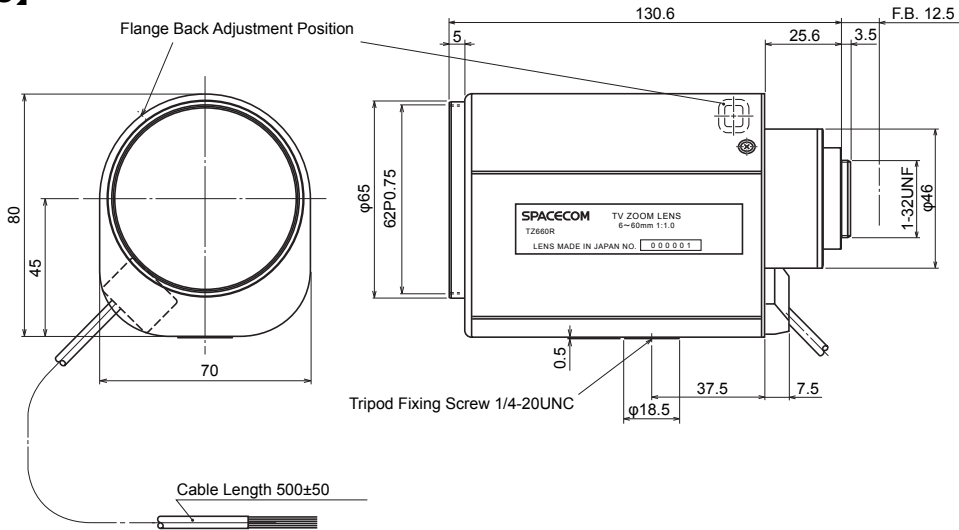
【SPECIFICATIONS】

Focal Length :	6~60mm	Operation :	Zoom :	Motorized(DC±6.4V, Max40mA) Speed Approx.6sec.
Maximum Relative Aperture :	1:1.0		Focus :	Motorized(DC±6.4V, Max40mA) Speed Approx.7sec.
Iris :	F1.0~Close		Iris :	Motorized(DC±6.4V, Max40mA) Speed Approx.3.5sec.
Zoom Ratio :	10X	Operation Temperature :		-10~+50°C
Angle of View :	43.6×33.4 deg. at 6mm 4.6× 3.4 deg. at 60mm	Mount :		CS-Mount(Adjustable Lens Position)
Image Size :	4.8×3.6mm (φ6mm)	Filter Size :		62mm P0.75
Minimum Object Distance :	1.2m (From Front Vertex)	Size :		80×70×130.6mm
Optical Back Focal Distance :	14.28mm (In Air)	Weight :		Approx.700 g
Flange Back :	12.5mm			

【COMPOSITION】

- Lens 1
- Lens Cap 1
- Dust Cap 1

【DIMENSIONS】



【CIRCUIT DIAGRAM】

