

# VHF35M-MP SWIR

Image Size : (1.1)

## SPECIFICATIONS

Focal Length :	35mm	Optical Back Focal Distance :	18.5mm (In Air )
Maximum Relative Aperture :	1:1.4	Frang Back :	17.526mm
Iris :	F1.4 ~ 22	Operation : Focus :	Manual
Angle of View :	H22.9 ° × V17.2 ° (D28.6 ° )	Iris :	Manual
Image Size :	14.1 × 10.6mm ( 17.6mm )	Operating Temperature :	-10 ~ +50
Minimum Object Distance :	0.3m (From Front Vertex )	Mount :	C-Mount
Optical Distortion :	-1.7 % (at near )	Filter Size :	35.5mm P0.5
	-1.2 % (at far)	Size :	40 × 42.5 mm
TV Distortion :	-0.5 % (at near )	Weight :	Approx.129g
	-0.4 % (at far)		

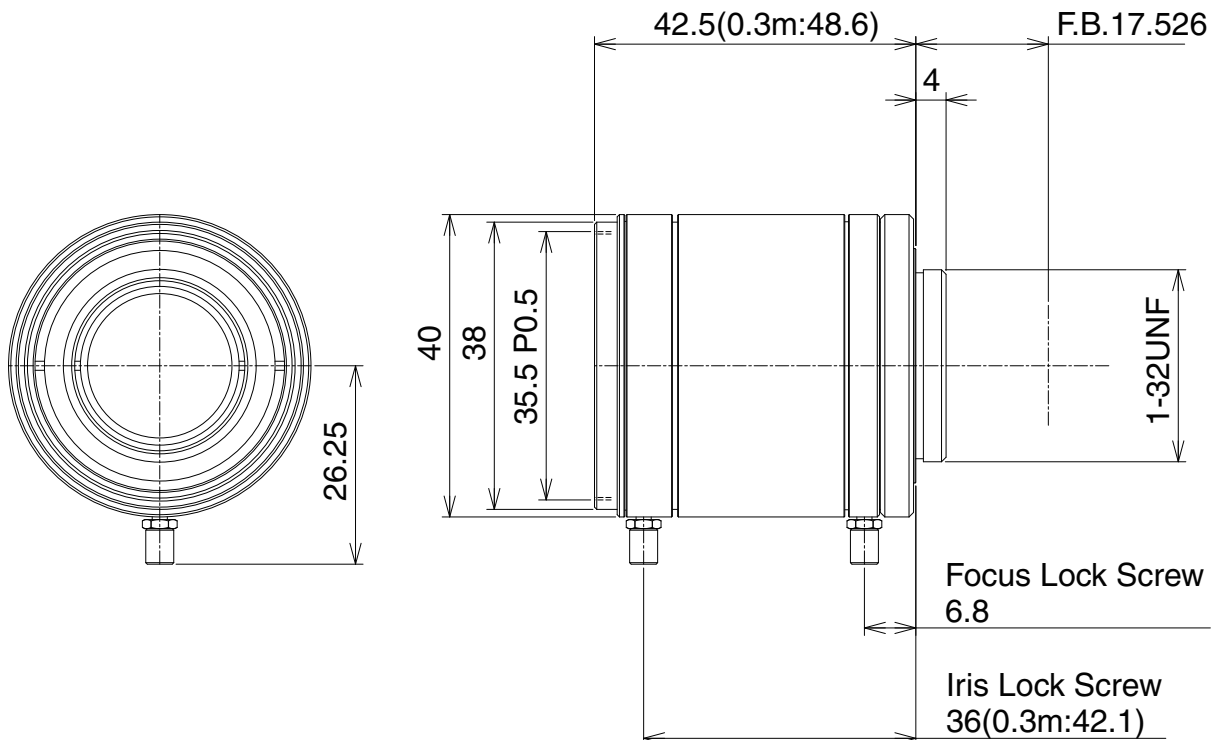
## COMPOSITION

- Lens .....1
- Lens Cap .....1
- Dust Cap .....1

Wave( μ m)	Frang Back(mm)
0.9	17.736
1.1	17.870
1.3	18.014
1.5	18.173
1.7	18.354

MOD changes along with change of flange Back

## DIMENSIONS



Unit:mm