

VHF6M-MP SWIR

Image Size : (1)

SPECIFICATIONS

| | | | |
|-----------------------------|-------------------------------|-------------------------------|------------------|
| Focal Length : | 6mm | Optical Back Focal Distance : | 11.5mm (In Air) |
| Maximum Relative Aperture : | 1:1.8 | Frang Back : | 17.526mm |
| Iris : | F1.8 ~ 22 | Operation : Focus : | Manual |
| Angle of View : | H95.1 ° × V78.7 ° (D104.6 °) | Iris : | Manual |
| Image Size : | 12.8 × 9.6mm (16mm) | Operating Temperature : | -10 ~ +50 |
| Minimum Object Distance : | 0.1m (From Front Vertex) | Mount : | C-Mount |
| Optical Distortion : | -7.5 % (at near) | Filter Size : | - |
| | -7.1 % (at far) | Size : | 54 × 50.3 mm |
| TV Distortion : | 2.4 % (at near) | Weight : | Approx.185g |
| | -0.7 % (at far) | | |

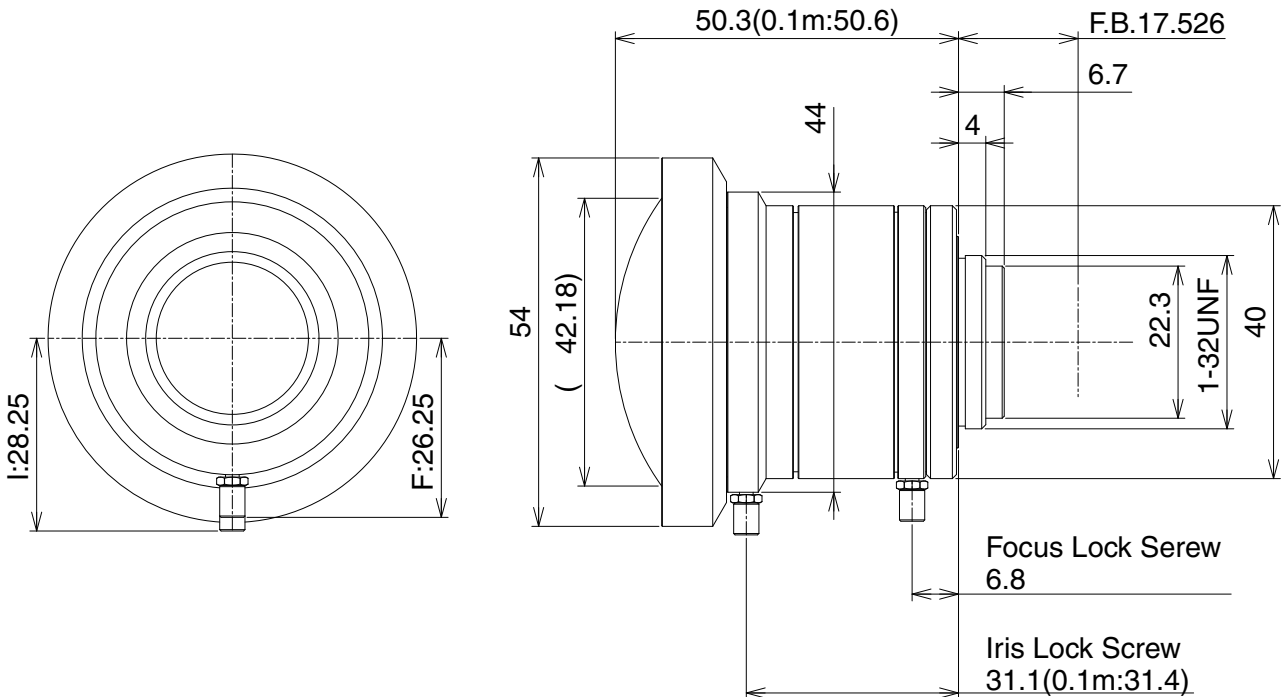
COMPOSITION

- Lens1
- Lens Cap1
- Dust Cap1

| Wave(μ m) | Frang Back(mm) |
|------------|----------------|
| 0.9 | 17.566 |
| 1.1 | 17.600 |
| 1.3 | 17.640 |
| 1.5 | 17.687 |
| 1.7 | 17.740 |

MOD change along with change of Flange Back

DIMENSIONS



Unit:mm